

Year 5: Maths Knowledge Mat

Measures – Sticky Knowledge



1 km = 1000 m
1 m = 100 cm
1 cm = 10 mm



1 kg = 1000 g



1 l = 1000 ml

Imperial measures

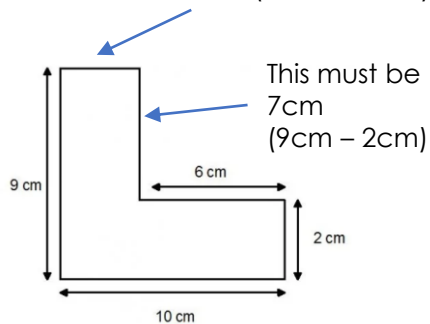
1 mile = 1.6 km
1 yard = 0.91 m
1 foot = 30 cm
1 inch = 2.54 cm

1 lb (pound) = 0.45 kg

1 pint = 0.57 litre

Perimeter

This must be 4 cm (10cm – 6cm)



Angles

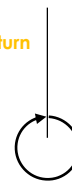
Right angle
Exactly 90°



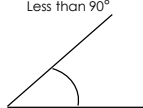
Straight line
= 180°



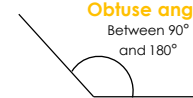
Complete turn
= 360°



Acute angle
Less than 90°



Obtuse angle
Between 90° and 180°



Reflex angle
greater than 180°



3D Shapes

Solid (3D) shapes are three-dimensional shapes having length, breadth and height.

Examples



sphere



cone



cylinder



cube

Prisms



triangular prism



square prism



rectangular prism



pentagonal prism



hexagonal prism



octagonal prism

Pyramids



triangular pyramid



square pyramid



rectangular pyramid



pentagonal pyramid



hexagonal pyramid



octagonal pyramid

Platonic solids



tetrahedron



cube



octahedron



dodecahedron



icosahedron

Roman Numerals

Symbol	Value
I	1
V	5
X	10
L	50
C	100
D	500
M	1000

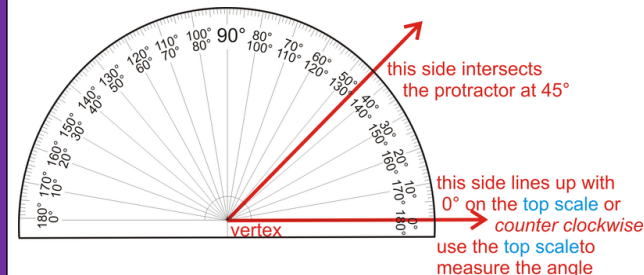
Dates

2020 = MMXX
2021 = MMXXI
2022 = MMXXII
2023 = MMXXIII
2024 = MMXXIV

1066 = MLXVI

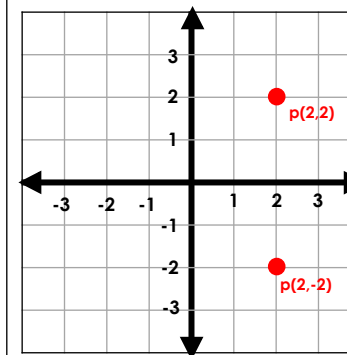
1939 = MCMXXXIX

Using a protractor



Coordinates

P has been reflected in the x axis



The shape has been reflected in the dotted line $y=x+2$

